

whisper

Whisper Construction Guide

The following guide describes the construction of a wooden box for housing the electronic components of the Whisper project. This guide in particular was created specifically for the **Shanghai Biennale Student Exhibition** and should not be used for any other exhibitions.

The piece is broken into two parts. The cover and the base. There is a spotlight that is placed on top of the piece as well but that will not need to be constructed, just installed in the ceiling. The spotlight only takes 110 volts power as does the entire piece. A color sample will be brought to try to match the correct color

Cover

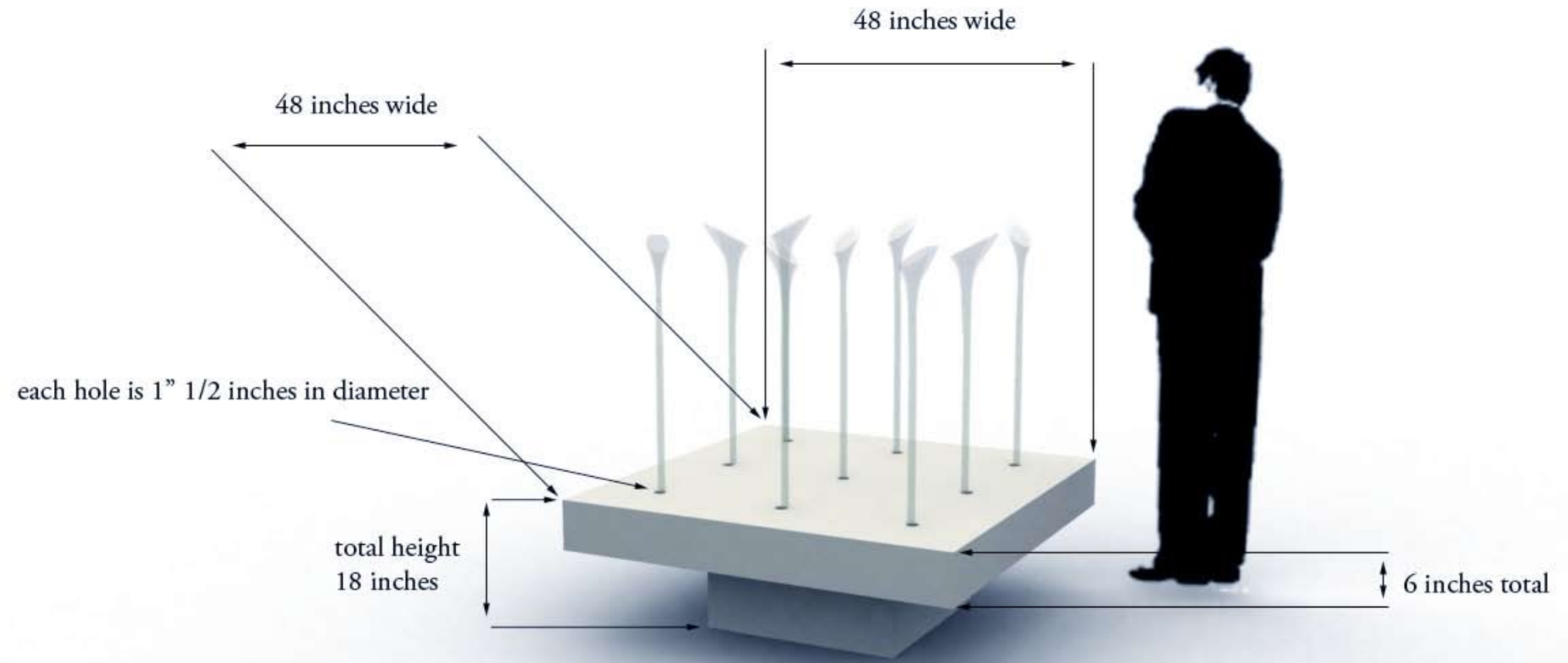
The cover is 48 inches (121.92 cm) wide by 48 inches (121.92 cm) long by 5 & 1/2 inches (13.97 cm) tall. It should be constructed out of plywood 1/2 inches (1.27 cm) thick. There are 9 holes on the cover, each hole is 1 & 1/2 inches (3.81 cm) in **DIAMETER**. Each hole is in a grid of 3 by 3 with 16 inches (40.64 cm) between the center to center of each hole. Each hole is 8 inches (20.32 cm) away from the side of the cover.

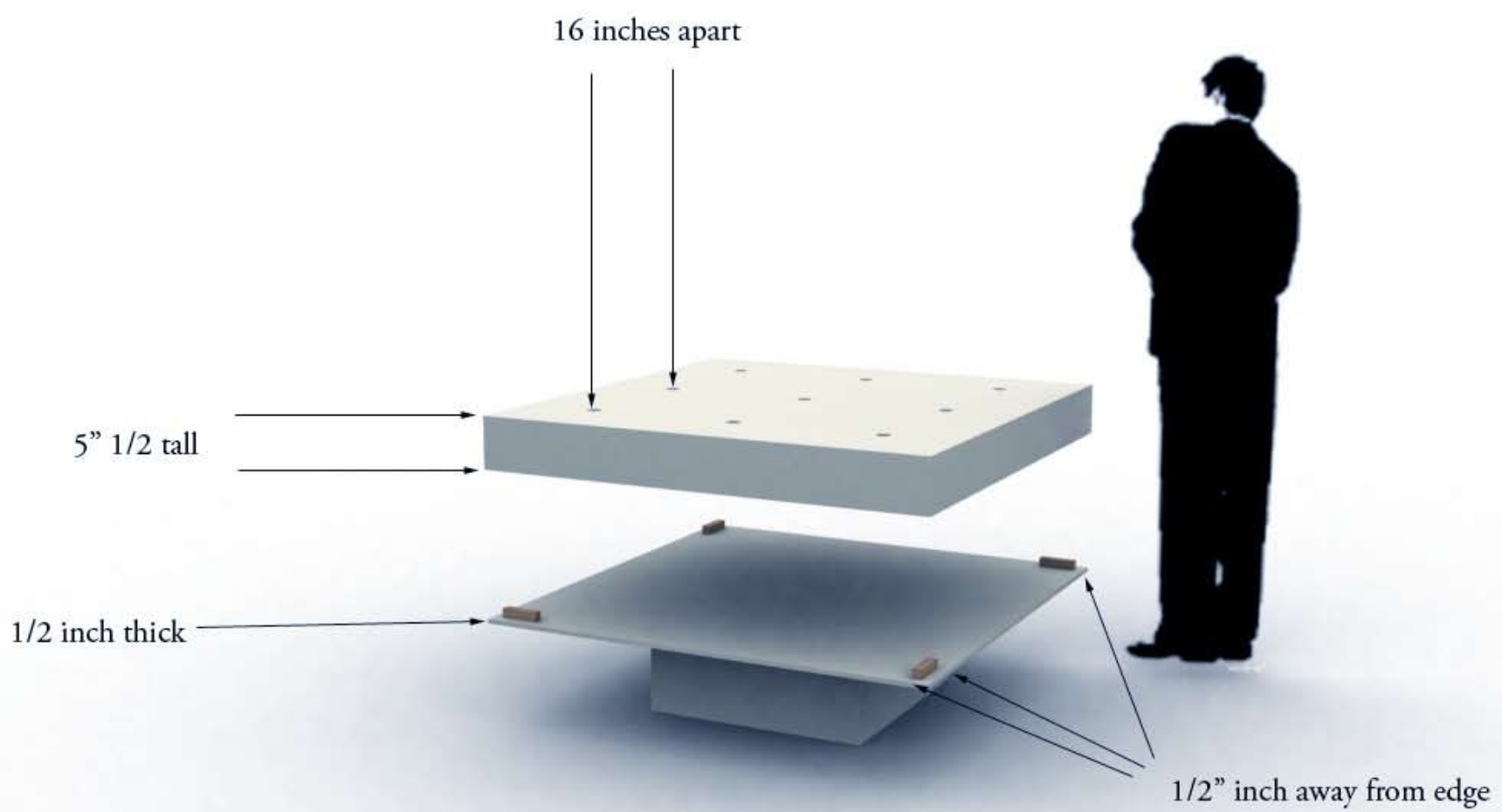
Base

The base is designed to support the cover and raise the entire platform by 12 inches (30.48 cm). It should be made from 1 sheet of plywood that is 48 inches (121.92 cm) wide by 48 inches (121.92 cm) long by 1/2 inches (1.27 cm) thick. The sheet is attached to a bottom pedestal that is 24 inches (60.96 cm) wide by 24 inches (60.96 cm) long by 12 inches (30.48 cm) tall constructed out of 1/2 inch (1.27 cm) thick plywood. A vertical hole 2 inches (5.08 cm) in **DIAMETER** should be made 6 inches (15.24 cm) from the center to allow power. A small notch should also be made at the base to allow a power cord. 1 inch (2.54 cm) by 4 inch (10.16 cm) blocks should be placed 1/2 an inch (1.27 cm) from the corners to help the placement of the cover.

If there is any questions or concerns, please feel free to email me at saltandonion@gmail.com

Thank you
Jiacong Yan





top view

center to side
8 inches apart

diameter 1" 1/2 inches

center to center
16 inches apart

